

Race Date Track

Driver Track Temp Air Temp

Track Description Indoor Tight Medium Low Bite High Bite

Outdoor Open Medium Bite

Dry Smooth Hard Packed Grass AstroTurf Clay Dirt

Wet Rough Blue Groove Carpet Multisurface

Front	Differential	Rear
<input type="checkbox"/> Ball	<input type="checkbox"/> Ball	
<input type="checkbox"/> Gear	cst <input type="checkbox"/> Gear	cst <input type="checkbox"/> Gear
<input type="checkbox"/> Oneway		
Differential Height		Differential Height
<input type="checkbox"/> High <input type="checkbox"/> Med <input type="checkbox"/> Low	<input type="checkbox"/> High <input type="checkbox"/> Med <input type="checkbox"/> Low	

Gear Ratio

Spur Gear

Pinion

Final Drive Ratio

Electronics

Battery

Motor Timing

ESC

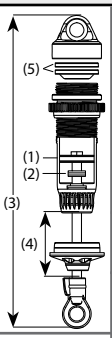
ESC Setting

Radio

Receiver

Shock Absorbers

	Front	Rear
Oil		
Spring	cst	cst
Limiters (2)	mm	mm
Length (3)	mm	mm
Rebound (4)	mm	mm
Bladder / Seal (5)	<input type="checkbox"/> Bladder <input type="checkbox"/> Seal	<input type="checkbox"/> Bladder <input type="checkbox"/> Seal
Spring Cup	<input type="checkbox"/> Short <input type="checkbox"/> Long	<input type="checkbox"/> Short <input type="checkbox"/> Long
Pistons (1)	# Holes	
	Diameter	mm
	Type	<input type="checkbox"/> Stock <input type="checkbox"/> Conical <input type="checkbox"/> Square <input type="checkbox"/> ^ <input type="checkbox"/> V



Anti-Roll Bar

Front	Rear
<input type="checkbox"/> 0.9 <input type="checkbox"/> 1 <input type="checkbox"/> 1.1 <input type="checkbox"/> Other	<input type="checkbox"/> 1.1 <input type="checkbox"/> 1.3 <input type="checkbox"/> 1.5 <input type="checkbox"/> Other

Tires

Front	Rear
Controlled Tire <input type="checkbox"/>	
Brand	
Type	
Compound	
Insert	
Wheel	
Additive	
Comments	

Aerodynamics

Body

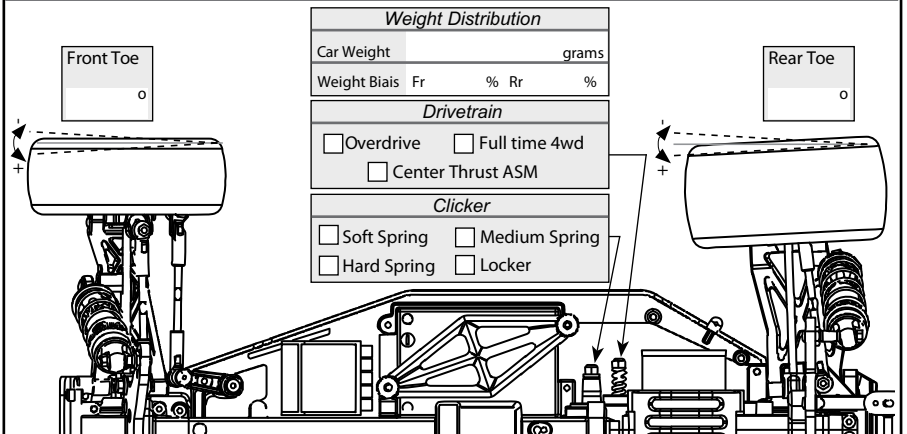
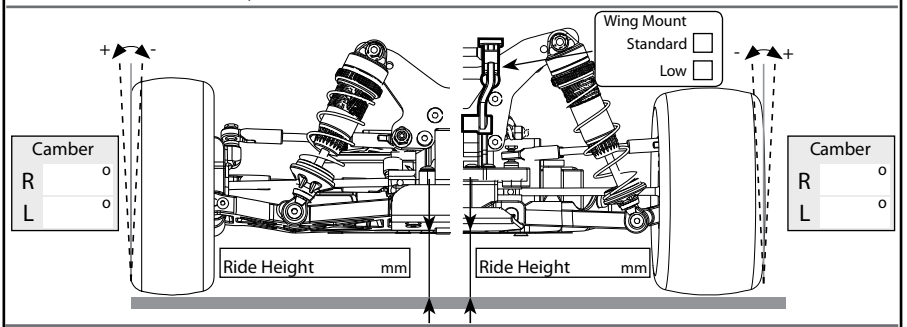
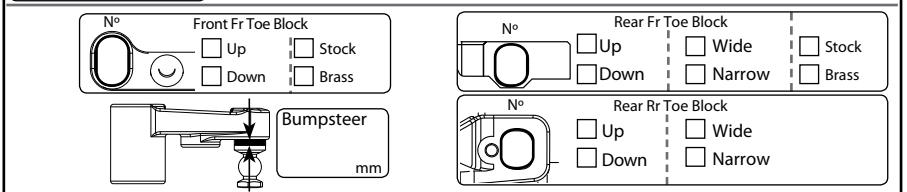
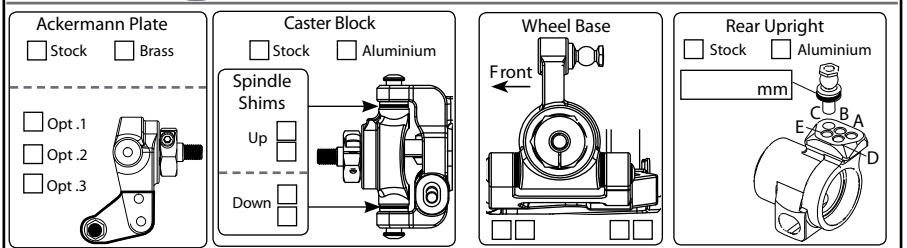
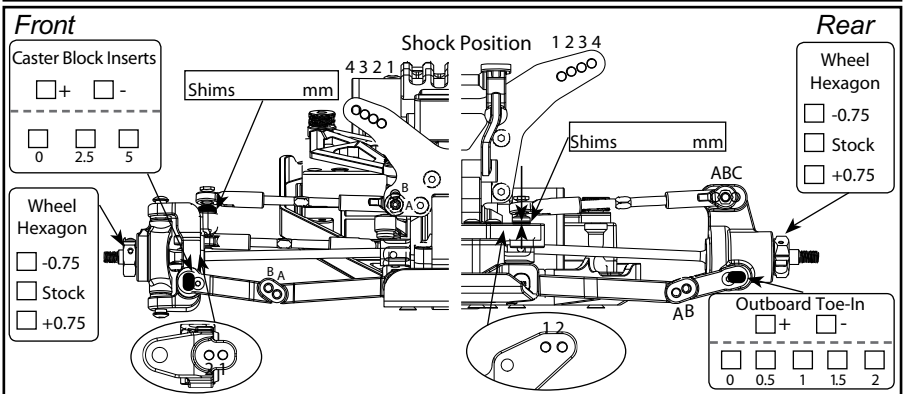
Rear Wing

Rear Wing Width

Rear Wing Lip mm

Rear Wing Angle 0 2 4 6 8

Front Wing No Yes



Comments