

Race **Maritime Wars** Date **/29 Nov 20** Track **Carpet**

Driver **Tony Evdoka** Track Temp **10c** Air Temp **10c**

Track Description Indoor Tight Medium Low Bite High Bite
 Outdoor Open Medium Bite

Dry Smooth Hard Packed Grass AstroTurf Clay Dirt
 Wet Rough Blue Groove Carpet Multisurface

Front	Differential	Rear
<input type="checkbox"/> Ball	<input type="checkbox"/> Ball	
<input checked="" type="checkbox"/> Gear 20000 cst	<input checked="" type="checkbox"/> Gear 15000 cst	
<input type="checkbox"/> Oneway		
Differential Height	Differential Height	
<input checked="" type="checkbox"/> High <input type="checkbox"/> Med <input type="checkbox"/> Low	<input checked="" type="checkbox"/> High <input type="checkbox"/> Med <input type="checkbox"/> Low	

Gear Ratio	
Spur Gear	STD
Pinion	22
Final Drive Ratio	

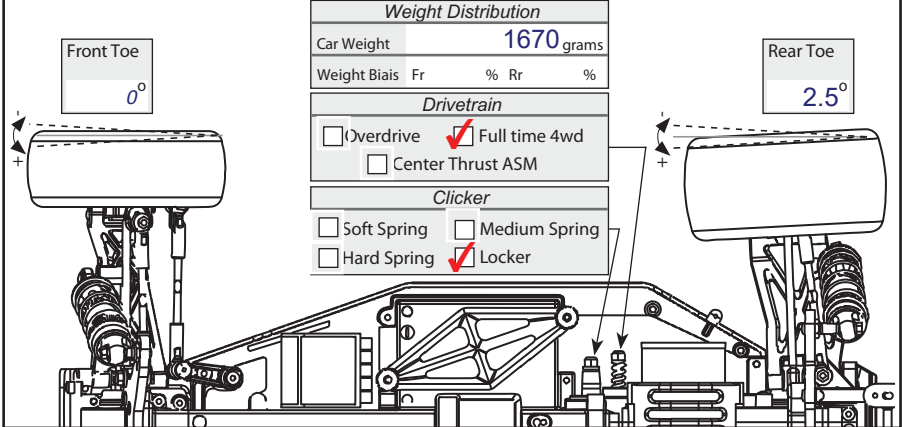
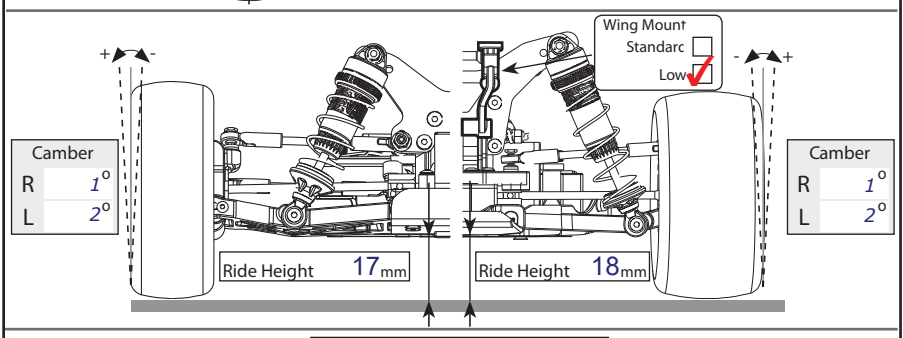
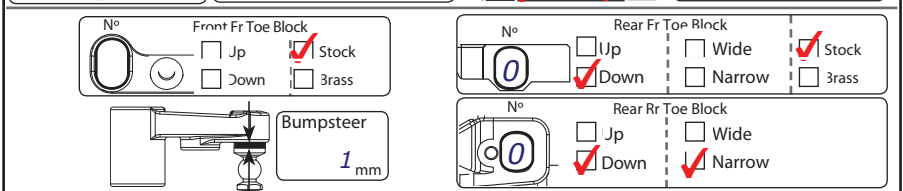
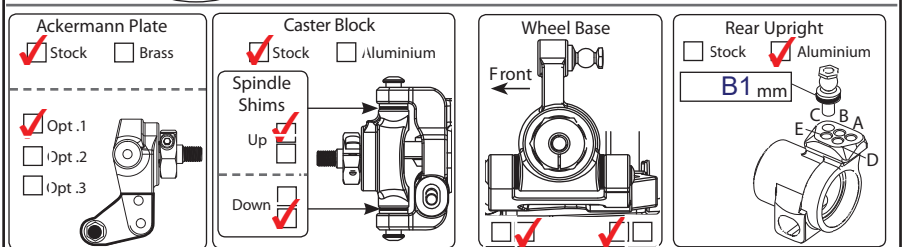
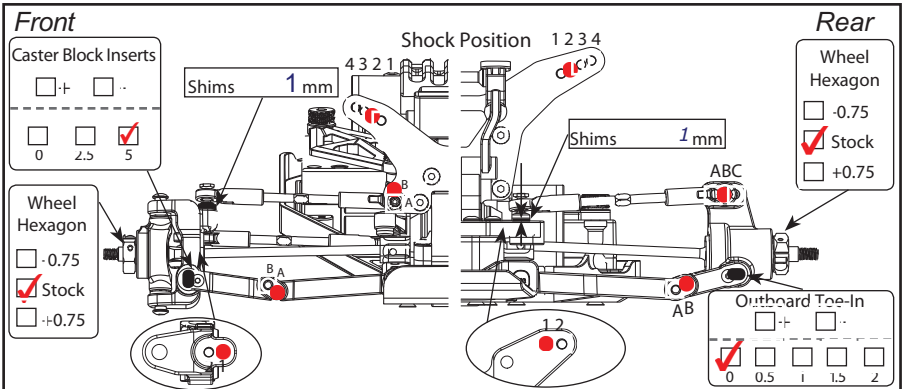
Electronics	
Battery	LRP 4500 100c
Motor	LRP 6.5 Timing 0
ESC	LRP Flow Works
ESC Setting	<i>Standard settings</i>
Radio	<i>Sanwa Exces</i>
Receiver	<i>Sanwa R</i>

Shock Absorbers			
Oil		Front 450 cst	Rear 450 cst
Spring		Assoc 4.0	Serp Blue
Limiters (2)		2 mm	1 mm
Length (3)			
Rebound (4)		0 mm	0 mm
Bladder / Seal (5)		<input checked="" type="checkbox"/> Seal	<input checked="" type="checkbox"/> Seal
Spring Cup		<input checked="" type="checkbox"/> Short	<input checked="" type="checkbox"/> Short
		<input type="checkbox"/> Long	<input type="checkbox"/> Long
Pistons (1)	# Holes	3 hole 1.4	2 hole 1.6
	Diameter		
	Type	<input type="checkbox"/> Stock <input type="checkbox"/> Conical <input checked="" type="checkbox"/> Square	

Front	Anti-Roll Bar	Rear
<input type="checkbox"/> 0.9 <input type="checkbox"/> 1 <input type="checkbox"/> 1.1 <input checked="" type="checkbox"/> 1.4	<input type="checkbox"/> 1.1 <input checked="" type="checkbox"/> 1.3 <input type="checkbox"/> 1.5	<input type="checkbox"/> Other

Front	Tires	Rear
<i>Schumacher</i>	Brand	<i>Schumacher</i>
<i>Slim Mini Pin</i>	Type	<i>Mini Pin 2</i>
<i>Yellow</i>	Compound	<i>Yellow</i>
<i>Ballistic Blue</i>	Insert	<i>Ballistic Blue</i>
<i>Kit</i>	Wheel	<i>Kit</i>
<i>No</i>	Additive	<i>No</i>
	Comments	

Aerodynamics	
Body	<i>Kit</i>
Rear Wing	<i>R1 RudeBits Wing</i>
Rear Wing Width	6.5
Rear Wing Lip	5 mm
Rear Wing Angle	<input type="checkbox"/> 0 <input type="checkbox"/> 2 <input checked="" type="checkbox"/> 4 <input type="checkbox"/> 6 <input type="checkbox"/> 8
Front Wing	<input checked="" type="checkbox"/> No <input type="checkbox"/> Yes



Comments

Shocks on the front of rear tower - LG shorty lipo - car as light as possible. Shorty Converted Car

Editable by Arn0 at PetitRC.com