



RACE Starting Point DATE Aug 2016 TRACK Astro/Carpet
 DRIVER Tony Evdoka TRACK TEMP 20c AIR TEMP

TRACK DESCRIPTION

INDOOR TIGHT MEDIUM LOW BITE HIGH BITE
 OUTDOOR OPEN MED BITE
 SMOOTH HARD PACKED GRASS ASTRO-TURF CLAY
 ROUGH BLUE GROOVE CARPET MULTI/SURFACE

FRONT DIFFERENTIALS REAR

BALL DIFFERENTIAL BALL DIFFERENTIAL
 GEAR DIFF 10000 cst GEAR DIFF 10000 cst
 ONE WAY
 DIFFERENTIAL HEIGHT DIFFERENTIAL HEIGHT
 HIGH MED LOW HIGH MED LOW

GEAR RATIO

SPUR GEAR	TEETH	<u>std</u>
PINION	TEETH	<u>23</u>

FINAL DRIVE RATIO

ELECTRONICS

BATTERY
 BRAND LRP CAPACITY Lots

MOTOR
 BRAND LRP TYPE 6.5 TIMING none

ESC
 BRAND LRP TYPE Works

SHOCK ABSORBERS

	FRONT	REAR
OIL	<u>550</u> cst	<u>450</u> cst
SPRING	<u>Green</u>	<u>Blue / Astro</u>
LIMITERS (2)	<u>2</u> mm	<u>2</u> mm
LENGTH (3)	<u> </u> mm	<u> </u> mm
REBOUND (4)	<u>0</u> mm	<u>0</u> mm
BLADDER / SEAL (5)	<input type="checkbox"/> BLADDER <input checked="" type="checkbox"/> SEAL <input checked="" type="checkbox"/> SHORT	<input type="checkbox"/> BLADDER <input checked="" type="checkbox"/> SEAL <input type="checkbox"/> SHORT
SPRING BUCKET	<input type="checkbox"/> LONG	<input checked="" type="checkbox"/> LONG
PISTONS (1)	N° OF HOLES <u>2</u>	<u>2</u>
	DIAMETER <u>1.5</u> mm	<u>1.6</u> mm

TYPE
 STOCK CONICAL SQUARE

FRONT ANTI-ROLL BARS **REAR**

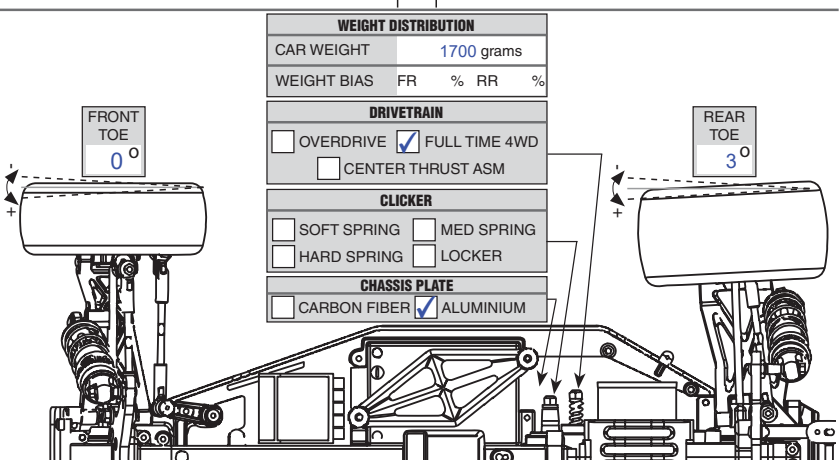
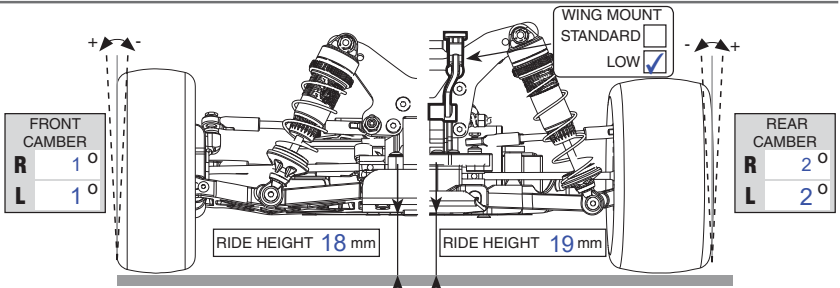
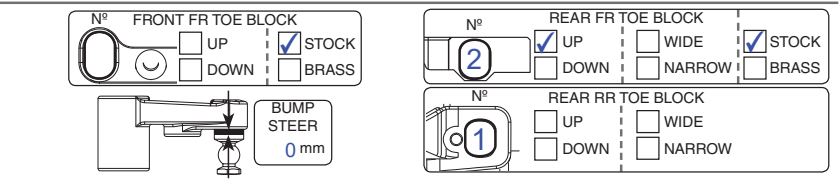
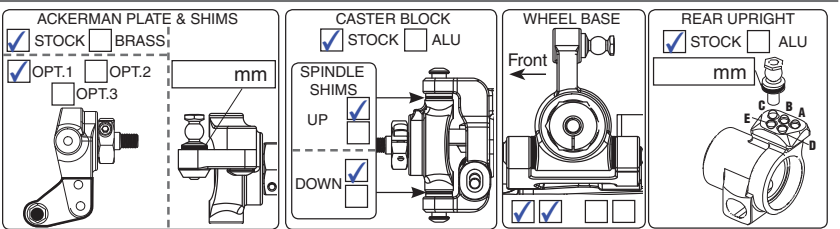
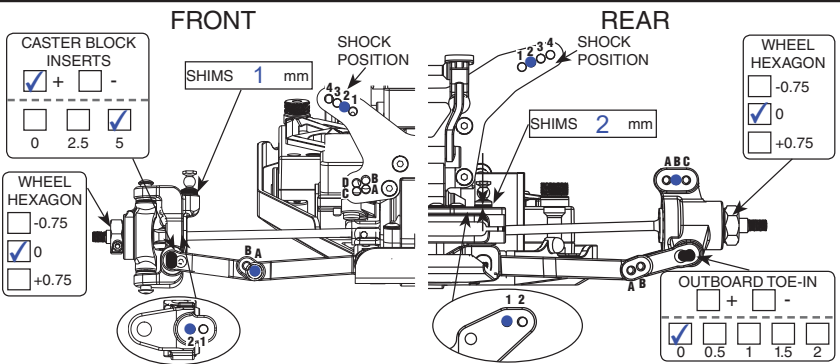
0.9 1 1.1 2.0 1.1 1.3 1.5 1.7

TIRES

FRONT	Controlled Tire	REAR
BB	MAKE	<u>Schumacher</u>
Stagger	TYPE	<u>Mini Spike</u>
White	COMPOUND	<u>Yellow</u>
none	INSERT TYPE	<u>BB Blue</u>
STD	WHEELS	<u>STD</u>
none	ADDITIVE	<u>NONE</u>

AERODYNAMIC CONFIGURATION

BODY	BRAND	<u>KIT</u>	TYPE	<u>KIT</u>		
REAR WING	BRAND	<u>RudeBits</u>	TYPE	<u>R2</u>		
REAR WING WIDTH	<u>6.5</u>					
REAR WING LIP	<u>5</u> mm					
REAR WING ANGLE	0	<input type="checkbox"/> 2	<input type="checkbox"/> 4	<input checked="" type="checkbox"/> 6	<input type="checkbox"/> 8	<input type="checkbox"/>
FRONT WING	YES	<input type="checkbox"/>	NO	<input checked="" type="checkbox"/>		



REMARKS
Alloy chassis - shorly mode