

SET UP



RACE DATE TRACK

DRIVER TRACK TEMP AIR TEMP

TRACK DESCRIPTION

INDOOR TIGHT MEDIUM LOW BITE HIGH BITE

OUTDOOR OPEN MED BITE V/Low Grip

SMOOTH HARD PACKED GRASS ASTRO-TURF CLAY

ROUGH BLUE GROOVE CARPET MULTI/SURFACE Concrete

REAR DIFFERENTIAL

BALL DIFFERENTIAL DIFFERENTIAL HEIGHT

GEAR DIFF HIGH MED LOW

GEAR RATIO

SPUR GEAR	TEETH	kit
PINION	TEETH	25
FINAL DRIVE RATIO		

ELECTRONICS

BATTERY: SADDLE SHORTY

BRAND CAPACITY

MOTOR

BRAND TYPE TIMING

ESC

BRAND TYPE

SHOCK ABSORBERS

	FRONT	REAR	
OIL	450 cst	350 cst	
SPRING	Blue	Orange	
LIMITERS (2)	0 mm	0 mm	
LENGTH (3)	mm	mm	
REBOUND (4)	0 mm	0 mm	
BLADDER / SEAL (5)	<input type="checkbox"/> BLADDER <input checked="" type="checkbox"/> SEAL	<input type="checkbox"/> BLADDER <input checked="" type="checkbox"/> SEAL	
SPRING BUCKET	<input type="checkbox"/> SHORT <input checked="" type="checkbox"/> LONG	<input type="checkbox"/> SHORT <input checked="" type="checkbox"/> LONG	
PISTONS (1)	N° OF HOLES	2	2
	DIAMETER	1.6 mm	1.6 mm
TYPE			
<input checked="" type="checkbox"/> STOCK <input checked="" type="checkbox"/> CONICAL <input type="checkbox"/> SQUARE			

FRONT ANTI-ROLL BARS **REAR**

Other Other

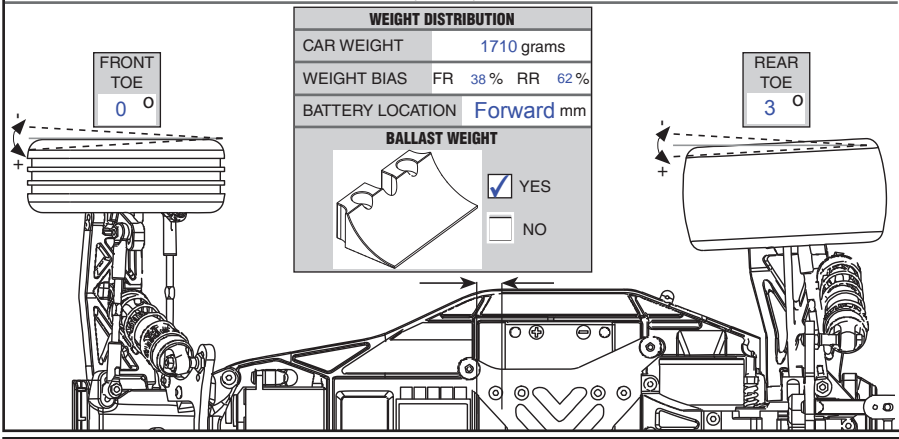
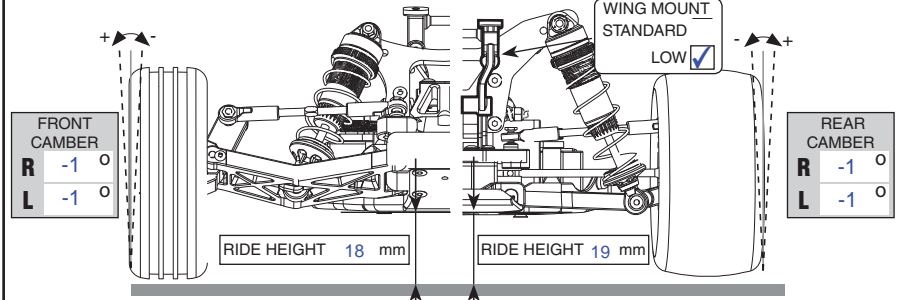
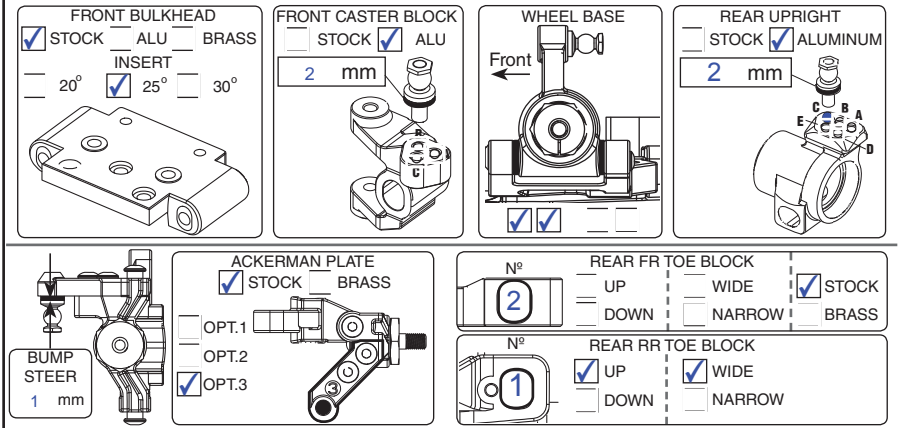
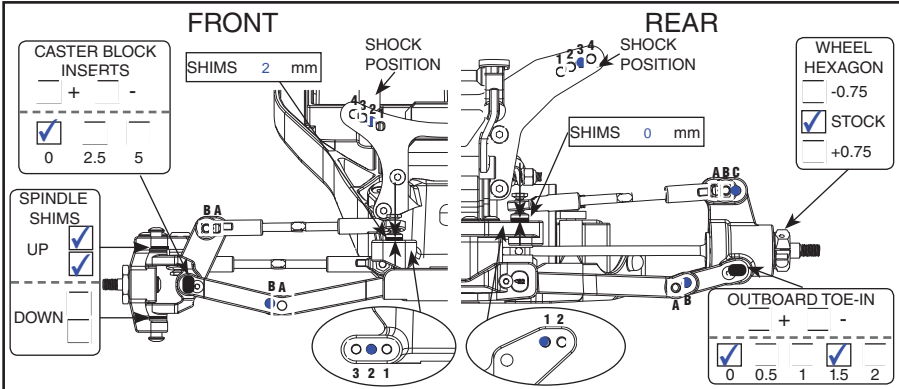
TIRES

FRONT	Controlled Tire	REAR
Schumacher	<input checked="" type="checkbox"/>	Schumacher
Cut Stagger		Mini Pin
Yellow		Yellow
None		Ballistic Buggy
Cut Narrow		Standards
None		None

MAKE: Schumacher
TYPE: Mini Pin
COMPOUND: Yellow
INSERT TYPE: Ballistic Buggy
WHEELS: Standards
ADDITIVE: None

AERODYNAMIC CONFIGURATION

BODY	BRAND	Kit	TYPE	Kit	
REAR WING	BRAND	RudeBits	TYPE	R1 4deg	
REAR WING WIDTH	6.5" - 160mm				
REAR WING LIP	5mm mm				
REAR WING ANGLE	0	<input type="checkbox"/> 2	<input type="checkbox"/> 4	<input checked="" type="checkbox"/> 6	<input type="checkbox"/> 8
FRONT WING	YES	<input type="checkbox"/>	NO	<input checked="" type="checkbox"/>	



REMARKS

70g Under Speed - also 46g under Lipo