

SET UP



RACE Winter Wars DATE 30.11.2014 TRACK Maritime Raceway
 DRIVER Tony Evdoka TRACK TEMP AIR TEMP 10c

INDOOR TIGHT MEDIUM LOW BITE HIGH BITE
 OUTDOOR OPEN MED BITE

TRACK DESCRIPTION
 SMOOTH HARD PACKED GRASS ASTRO-TURF CLAY
 ROUGH BLUE GROOVE CARPET MULTI/SURFACE Wood

REAR DIFFERENTIAL

BALL DIFFERENTIAL DIFFERENTIAL HEIGHT
 GEAR DIFF 6000 cst HIGH MED LOW

GEAR RATIO

SPUR GEAR	TEETH	<u>kit</u>
PINION	TEETH	<u>23</u>
FINAL DRIVE RATIO		

ELECTRONICS

BATTERY: SADDLE SHORTY
 BRAND Orion CAPACITY 4500 - 90c

MOTOR
 BRAND Orion 6.5 TYPE VST2 TIMING 0

ESC
 BRAND Orion TYPE V10.1 Pro

SHOCK ABSORBERS

	FRONT	REAR
OIL	<u>450</u> cst	<u>350</u> cst
SPRING	<u>Blue</u>	<u>Orange</u>
LIMITERS (2)	<u>0</u> mm	<u>0</u> mm
LENGTH (3)	<u> </u> mm	<u> </u> mm
REBOUND (4)	<u>0</u> mm	<u>0</u> mm
BLADDER / SEAL (5)	<input type="checkbox"/> BLADDER <input checked="" type="checkbox"/> SEAL	<input type="checkbox"/> BLADDER <input checked="" type="checkbox"/> SEAL
SPRING BUCKET	<input type="checkbox"/> SHORT <input checked="" type="checkbox"/> LONG	<input type="checkbox"/> SHORT <input type="checkbox"/> LONG
PISTONS (1)	N° OF HOLES	<u>2</u>
	DIAMETER	<u>1.6</u> mm
TYPE		
<input checked="" type="checkbox"/> STOCK <input type="checkbox"/> CONICAL <input type="checkbox"/> SQUARE		

FRONT ANTI-ROLL BARS **REAR**

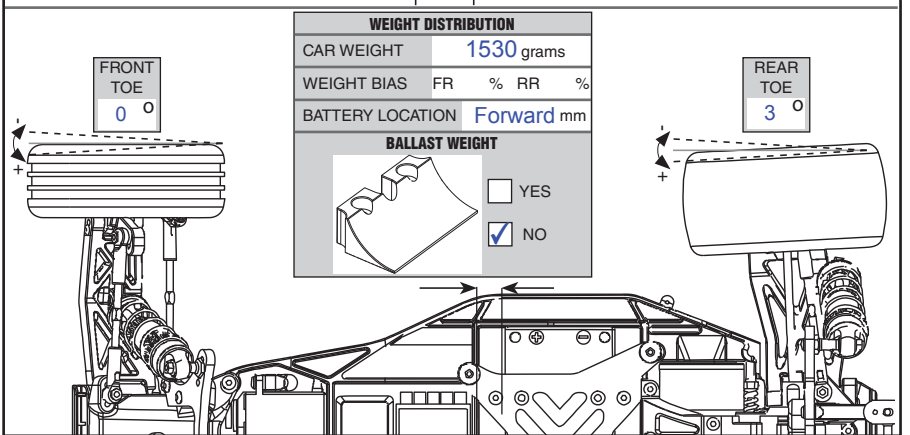
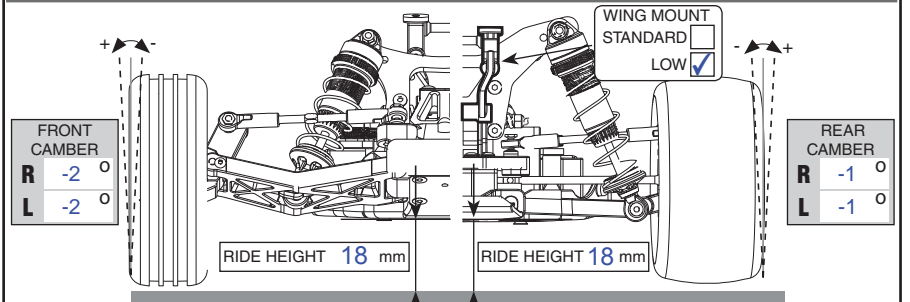
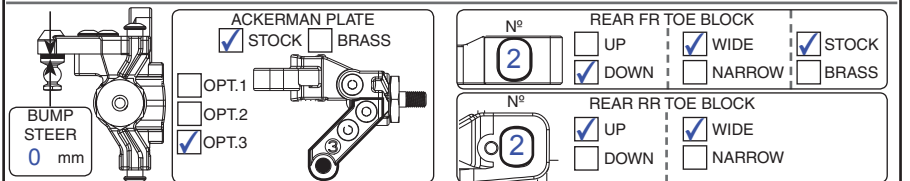
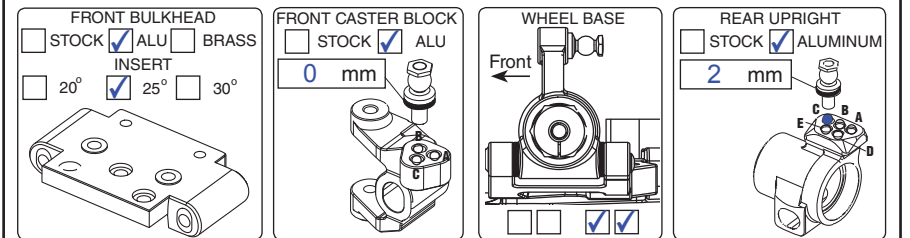
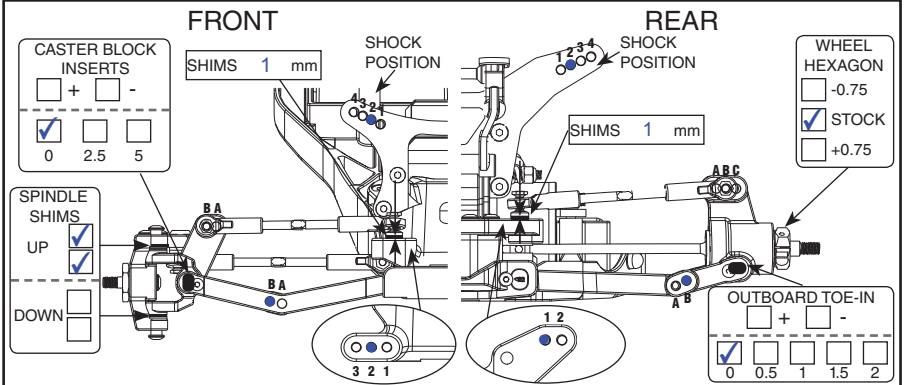
Other Other
 0.9 1 1.1 1.1 1.3 1.5

TIRES

FRONT	Controlled Tire	REAR
<u>Schumacher</u>	<input checked="" type="checkbox"/>	<u>Schumacher</u>
<u>Cut Stagger</u>		<u>Mini Pin</u>
<u>Yellow</u>		<u>Yellow</u>
<u>None</u>		<u>Ballistic Buggy</u>
<u>Cut Narrow</u>		<u>Standards</u>
<u>None</u>		<u>None</u>

AERODYNAMIC CONFIGURATION

BODY	BRAND <u>Kit</u>	TYPE <u>Kit</u>
REAR WING	BRAND <u>RudeBits</u>	TYPE <u>R1 4deg</u>
REAR WING WIDTH	<u>6.5" - 160mm</u>	
REAR WING LIP	<u>5mm</u> mm	
REAR WING ANGLE	0 <input type="checkbox"/> 2 <input type="checkbox"/> 4 <input checked="" type="checkbox"/> 6 <input type="checkbox"/> 8 <input type="checkbox"/>	
FRONT WING	YES <input type="checkbox"/> NO <input checked="" type="checkbox"/>	



REMARKS
Car was very well balanced