

SET UP



RACE DATE TRACK
 DRIVER TRACK TEMP AIR TEMP
 TRACK DESCRIPTION
 INDOOR TIGHT MEDIUM LOW BITE HIGH BITE
 OUTDOOR OPEN MED BITE Astro
 SMOOTH HARD PACKED GRASS ASTRO-TURF CLAY
 ROUGH BLUE GROOVE CARPET MULTI/SURFACE

REAR DIFFERENTIAL
 BALL DIFFERENTIAL DIFFERENTIAL HEIGHT
 GEAR DIFF 7000 cst HIGH MED LOW

GEAR RATIO

SPUR GEAR	TEETH	78
PINION	TEETH	26
FINAL DRIVE RATIO		

ELECTRONICS
 BATTERY: SADDLE SHORTY
 BRAND CAPACITY
 MOTOR
 BRAND TYPE TIMING
 ESC
 BRAND TYPE

SHOCK ABSORBERS

	FRONT	REAR
OIL	450 cst	350 cst
SPRING	Purple	Orange
LIMITERS (2)	2 mm	0 mm
LENGTH (3)	mm	mm
REBOUND (4)	0 mm	0 mm
BLADDER / SEAL (5)	<input type="checkbox"/> BLADDER <input checked="" type="checkbox"/> SEAL	<input type="checkbox"/> BLADDER <input checked="" type="checkbox"/> SEAL
SPRING BUCKET	<input type="checkbox"/> SHORT <input checked="" type="checkbox"/> LONG	<input type="checkbox"/> SHORT <input checked="" type="checkbox"/> LONG
PISTONS (1)	N° OF HOLES	3
	DIAMETER	1.2 mm
TYPE		
<input checked="" type="checkbox"/> STOCK <input checked="" type="checkbox"/> CONICAL <input type="checkbox"/> SQUARE		

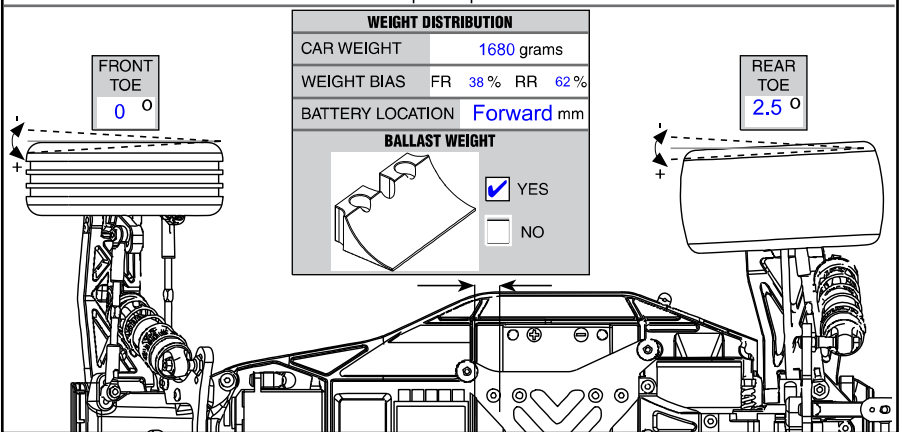
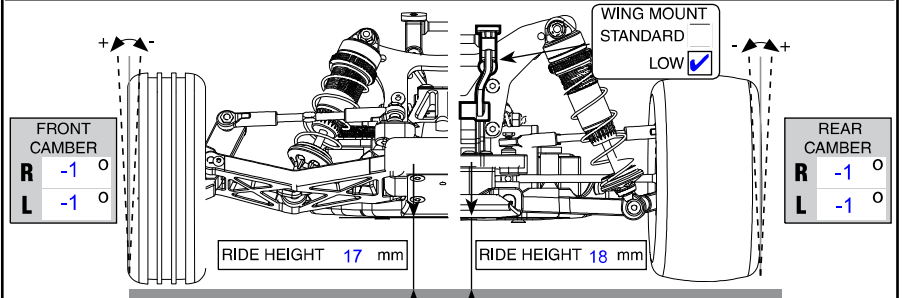
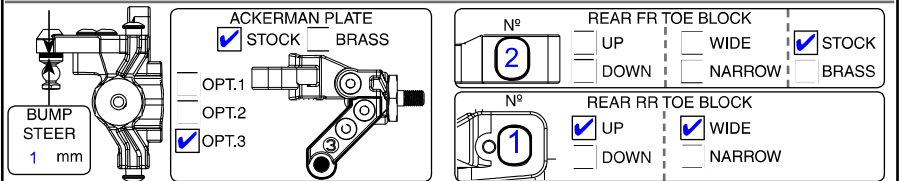
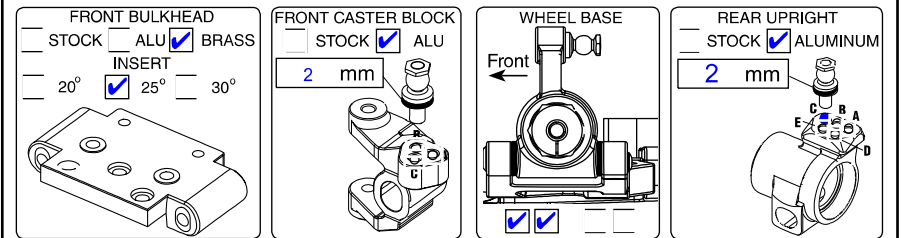
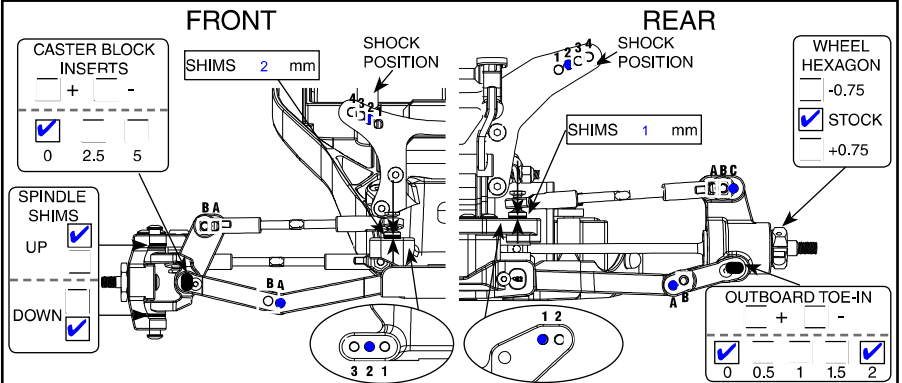
FRONT ANTI-ROLL BARS **REAR**
 0.9 1 1.1 Other 1.1 1.3 1.5 Other

TIRES

FRONT	Controlled Tire	REAR
Schumacher	<input checked="" type="checkbox"/>	Schumacher
Cut Stagger		Mini Spike
Yellow		Yellow
None		Ballistic Buggy
Cut Narrow		Standards
None		None

AERODYNAMIC CONFIGURATION

BODY	BRAND	Kit	TYPE	Kit
REAR WING	BRAND	RudeBits	TYPE	R1 4deg
REAR WING WIDTH				6.5" - 160mm
REAR WING LIP				5mm mm
REAR WING ANGLE	0	<input type="checkbox"/>	2	<input type="checkbox"/>
		<input type="checkbox"/>	4	<input type="checkbox"/>
		<input checked="" type="checkbox"/>	6	<input type="checkbox"/>
		<input type="checkbox"/>	8	<input type="checkbox"/>
FRONT WING	YES	<input type="checkbox"/>	NO	<input checked="" type="checkbox"/>



REMARKS

70g Under Speedo weight

46g Under Lipo weight