

SET UP



RACE	National BRCA Round 4	DATE	04.06.2015	TRACK	EPR
DRIVER	Tony Evdoka	TRACK TEMP	10	AIR TEMP	18c
TRACK DESCRIPTION		<input type="checkbox"/> INDOOR	<input type="checkbox"/> TIGHT <input checked="" type="checkbox"/> MEDIUM	<input type="checkbox"/> LOW BITE	<input type="checkbox"/> HIGH BITE
		<input checked="" type="checkbox"/> OUTDOOR	<input type="checkbox"/> OPEN	<input checked="" type="checkbox"/> MED BITE	<input type="checkbox"/> VLow Grip
		<input type="checkbox"/> SMOOTH	<input type="checkbox"/> HARD PACKED	<input type="checkbox"/> GRASS	<input checked="" type="checkbox"/> ASTRO-TURF
		<input checked="" type="checkbox"/> ROUGH	<input type="checkbox"/> BLUE GROOVE	<input type="checkbox"/> CARPET	<input checked="" type="checkbox"/> MULTI/SURFACE
					<input checked="" type="checkbox"/> Concrete

REAR DIFFERENTIAL	
<input type="checkbox"/> BALL DIFFERENTIAL	DIFFERENTIAL HEIGHT
<input checked="" type="checkbox"/> GEAR DIFF	<input type="checkbox"/> HIGH <input checked="" type="checkbox"/> MED <input type="checkbox"/> LOW
10000 cst	

GEAR RATIO		
SPUR GEAR	TEETH	78 - kit
PINION	TEETH	24
FINAL DRIVE RATIO		

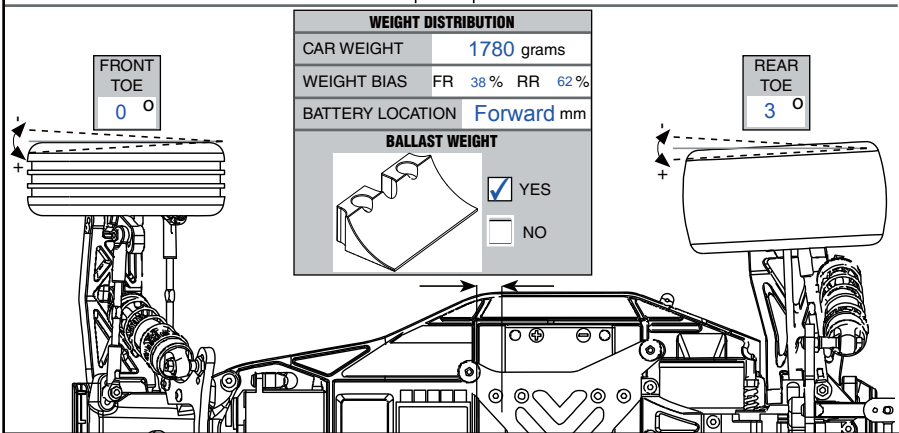
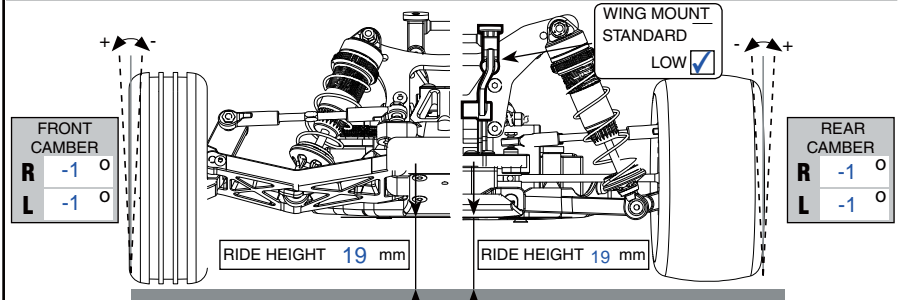
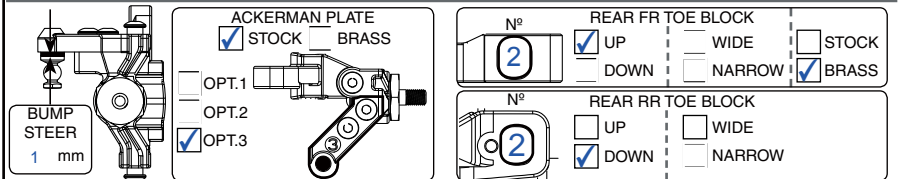
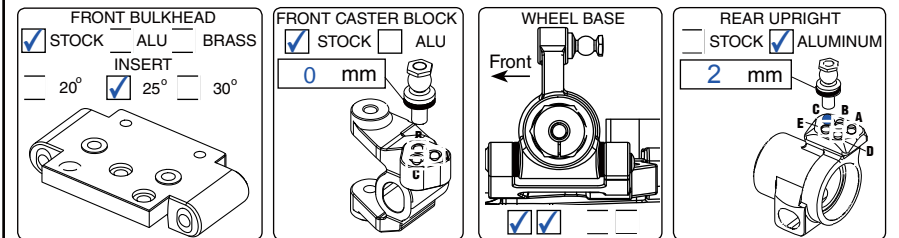
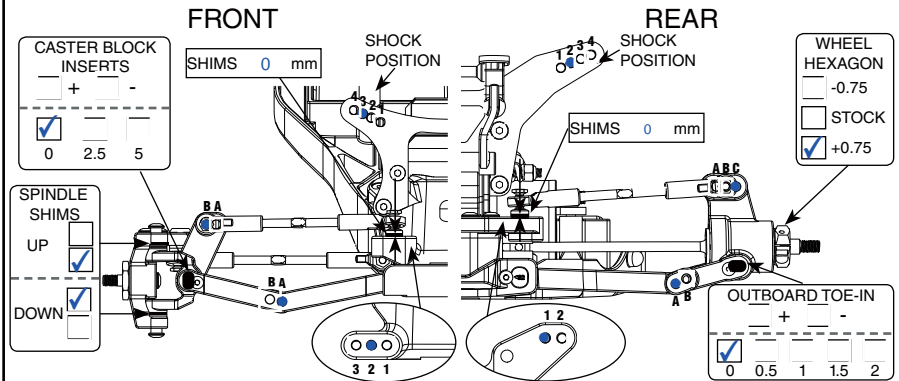
ELECTRONICS	
BATTERY:	SADDLE <input type="checkbox"/> SHORTY <input checked="" type="checkbox"/>
BRAND	Orion CAPACITY 4500 - 90c
MOTOR	
BRAND	Orion 6.5 TYPE VST2 TIMING 0
ESC	
BRAND	Orion TYPE V10.1 Pro

SHOCK ABSORBERS		
	FRONT	REAR
OIL	550 cst	450 cst
SPRING	Blue	Orange
LIMITERS (2)	1.5 mm	0 mm
LENGTH (3)	mm	mm
REBOUND (4)	0 mm	0 mm
BLADDER / SEAL (5)	<input type="checkbox"/> BLADDER <input checked="" type="checkbox"/> SEAL	<input type="checkbox"/> BLADDER <input checked="" type="checkbox"/> SEAL
SPRING BUCKET	<input type="checkbox"/> SHORT <input checked="" type="checkbox"/> LONG	<input type="checkbox"/> SHORT <input type="checkbox"/> LONG
PISTONS (1)	N° OF HOLES	2
	DIAMETER	1.6 mm
TYPE		
<input type="checkbox"/> STOCK <input checked="" type="checkbox"/> CONICAL <input type="checkbox"/> SQUARE		

FRONT <input type="checkbox"/> ANTI-ROLL BARS	REAR <input type="checkbox"/>
0.9 1 1.1 Other	1.1 1.3 1.5 Other

TIRES		
FRONT	Controlled Tire <input checked="" type="checkbox"/>	REAR
Schumacher	MAKE	Schumacher
Cut Stagger	TYPE	Mini Spike
Yellow	COMPOUND	Yellow
None	INSERT TYPE	Ballistic Buggy
Cut Narrow	WHEELS	Standards
None	ADDITIVE	None

AERODYNAMIC CONFIGURATION			
BODY	BRAND	Kit	TYPE
REAR WING	BRAND	RudeBits	TYPE R1 4deg
REAR WING WIDTH	6.5" - 160mm		
REAR WING LIP	5mm mm		
REAR WING ANGLE	0	2	4 <input checked="" type="checkbox"/> 6
FRONT WING	YES	NO <input checked="" type="checkbox"/>	



REMARKS
70g Under Speedo - also 46g under Lipo SCT 500316 (C-Hub) - 500317 (Steering Block)